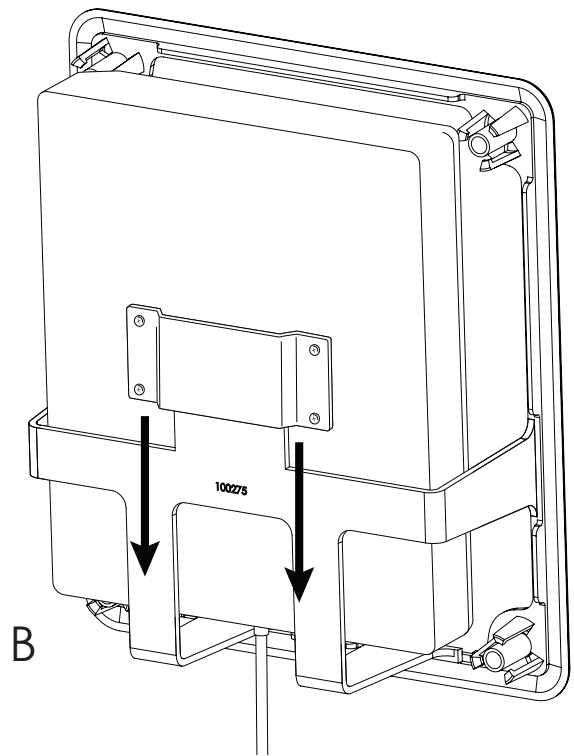
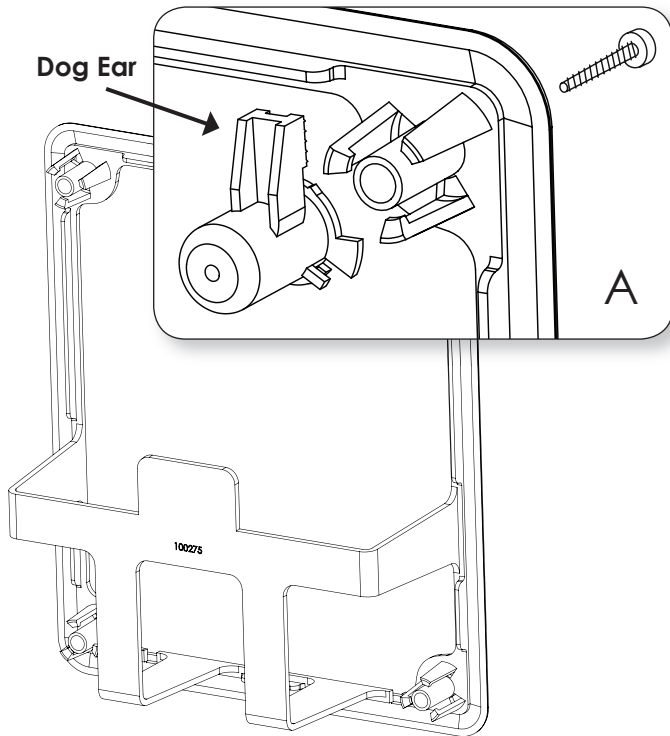


Installation Instructions In-Wall Antenna Bracket 901123



1. Locate an area on the wall where the In-Wall Antenna Bracket will be installed. The size of the hole to be cut into the wall should be 8-1/8" horizontal by 9-1/2" vertical. (See template on back)

WARNING: Locate all the in-wall electrical wiring, plumbing and other obstacles before cutting.

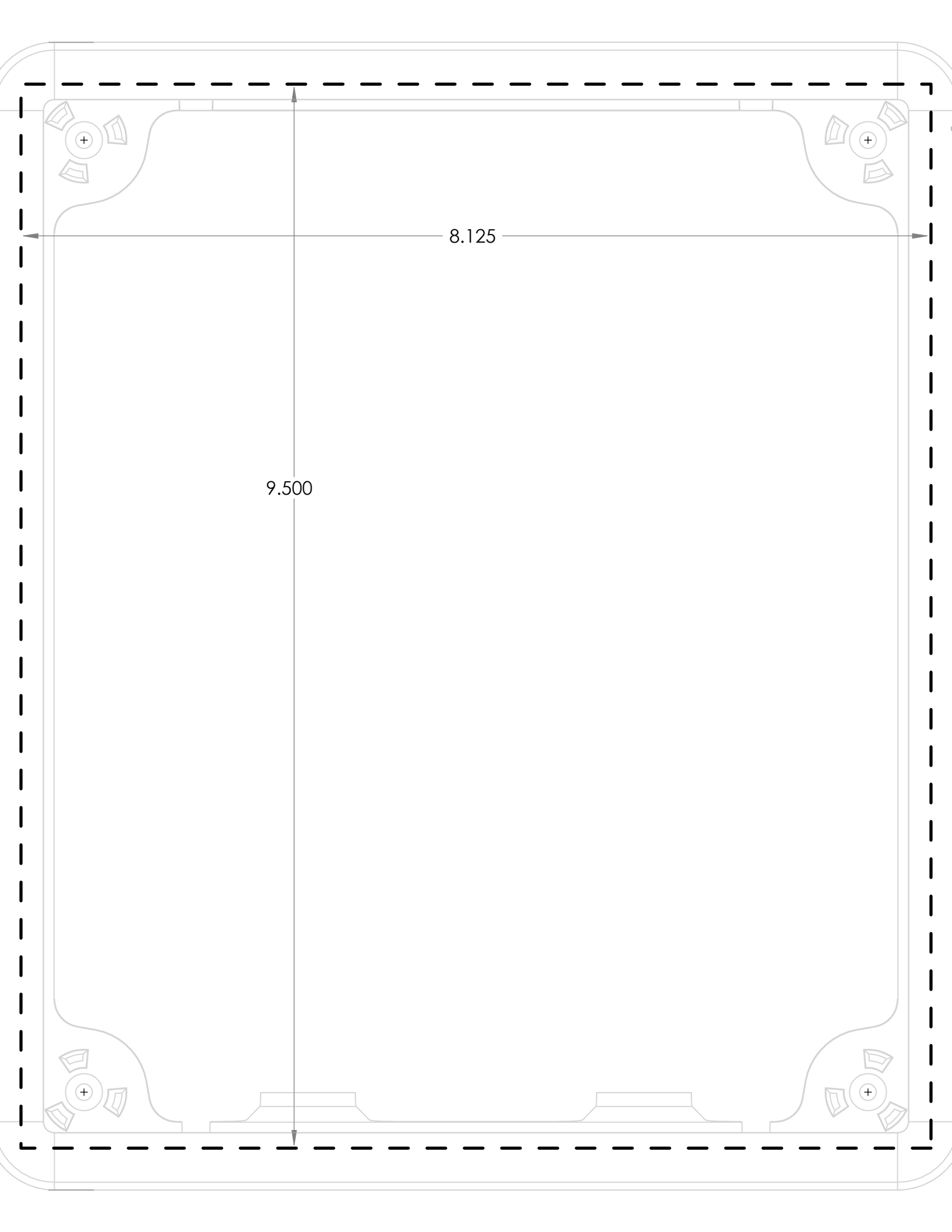
WARNING: Do NOT cut the hole too large or the outer flange on the antenna bracket may not rest against the wall.

2. Mount the bracket into the wall. To do this, remove the front panel, rotate the dog ears towards the wall.
3. Using a Phillips screwdriver insert the 4 screws provided with this kit, into each dog ear, tighten until snug (**insert A**). The dog ear should rotate 1/4 to 1/2 turn.

WARNING: Do NOT over tighten the screws or damage may occur to the wall.

4. Connect the Panel Antenna to the coax returning to the amplifier. Make sure the connection is tight.
5. Slide the antenna over the plastic vertical tab (**B**). Allow the antenna to rest on the horizontal plastic brace. NOTE: Panel antenna can be mounted with coax going either up or down.
6. Replace the front panel cover by inserting the bottom first, the 2 slots on the cover then snap into the top of the bracket.

The Installation is Complete.



8.125

9.500